



PROJECT		REF		REV	ITEM CODE	
LOCATION		DATE			PAGE	

## SANITARY WARE SPECIFICATION SHEET

Item Descriptions	Stern (Israel) "Quadrat SD 2030" Chrome plated wall mounted liquid soap dispenser in AC Supply with 5m wire AC 110-240 Vac 50/60Hz to 12V 2.5A <b>IP68 waterproof switching transformer</b>
Dimensions	L124 x W28 x H28 mm
Model	Quadrat Soap Dispenser 2030 E
Code Number	351930
Finish	Chrome Plated
Supplier	Acme Sanitary Ware Co. Ltd Mr. Eric Wong/ Mr. Don Yuen
Contact Tel/Fax	(852) 2388-7171 / (852) 2710-8012
E-mail	acme@acmesanitary.com.hk
Website	www.acmesanitary.com.hk

Illustration/ Drawing

**Installation:**  
Wall mounted concealed

**Power source:**  
12 V transformer

**Stern Soap & Water:**  
Quadrat matching faucet

**Default soap dosage:**  
1.4 cc

**Soap viscosity:**  
100-3800 cPs

**QUADRAT SOAP DISPENSER 2030 E**  
**Ref # 351930**

Touch free electronic soap dispenser for installations in brick walls. Activated by infrared sensor. Chrome plated body, other finishes available. Includes a 1 liter soap bottle and bottle support. Optional for remote installation: extension cable and longer piping. The following functions can be performed by using Stern remote control: soap quantity selection, refill the soap tank, temporary off, coming back to factory settings.

**Application:**  
 Closing automatically without dripping, Stern's touch free soap dispenser helps to ensure that the bathroom will stay organized and neat. Combined with Quadrat touch free electronic faucet, it creates a germ-free and automated environment.

**Use:**  
 Touch free electronic soap dispenser. The soap dispenser is activated automatically when the users bring their hands within the sensor range and stops when the users remove their hands.

PRODUCT SPECIFICATION	
Power supply	6D Alkaline battery*, plug-in transformer, output : 12 VDC 0.5A, or hardwired (1A/2.5A)
Soap:	non-proprietary, viscosity up to 3800 cP for liquid soap
Tank capacity:	33.8 oz (1L) bottle or 203 oz (6L) Tank/Bracket
Soap adjustability:	from 0.02 oz (0.7 ml) to 0.08 oz (2.3 ml)
Accessory	07100008 remote control for soap dispenser
Detection range:	+/- 4"
Dispenser hole diameter	7/8" to 1" (23 to 24 mm)
<b>Spare parts recommended:</b>	
07220279	10-pack sensor kit
07222013	soap dispenser pump (liquid soap version)
06522080	12 V transformer
*batteries are not supplied	

\* All information of the above is for the reference only. No prior notice is made if any changes.



PROJECT		REF		REV	ITEM CODE	
LOCATION		DATE			PAGE	

## SPARE PARTS LIST

Quadrat Soap Dispenser 2030E  
(351930)

**Spare Parts List**

Seals and screws kit Quadrat SD	07210128
Sensor	08002195
Soap Tank 1L	07100020
Transformer	06522042
Soap Dispenser Pump assembly	07222001
Remote control	07100008
IP68 transformer box	TBC
Bottle support	07120175

**Note:** In order to locate the relevant spare part, please check the corresponding parts and part number in the drawing. Minimum order quantity will be required.

*\* All information of the above is for the reference only. No prior notice is made if any changes.*

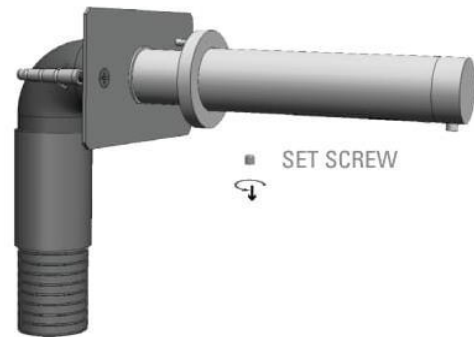


## INSTALLATION

Tubular Soap Dispenser 2030 B / E  
Quadrat Soap Dispenser 2030 B / E

### Step 1 – Preparing for installation

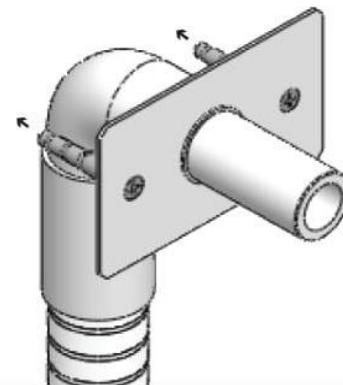
1. Disconnect the soap dispenser body with the rosette by unscrewing the set screw.
2. Cut an adequate opening in the wall for the dimensions of the soap dispenser base (where you want to install the spout), and the corrugated tube.



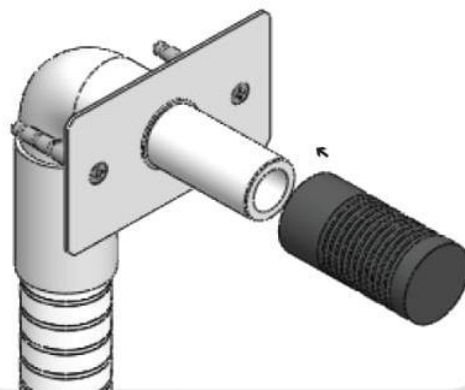
### Step 2 – Installing the soap dispenser

1. Mount the soap dispenser base to the opening cut in the wall, and set it using the two small anchors provided.

**Important:** The soap dispenser base should be installed so that the outside surface of the finished wall falls between the minimum and maximum lines marked at the base.



2. Assemble the temporary protective soap dispenser base cover.

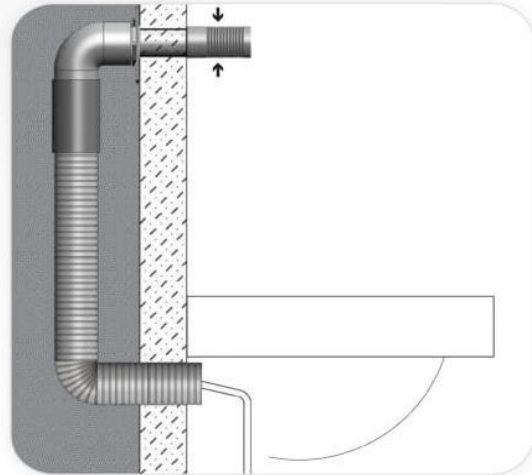




## INSTALLATION

Tubular Soap Dispenser 2030 B / E  
Quadrat Soap Dispenser 2030 B / E

3. Assemble the corrugated tube to the soap dispenser base and make sure it will stay outside of the wall when tiling.

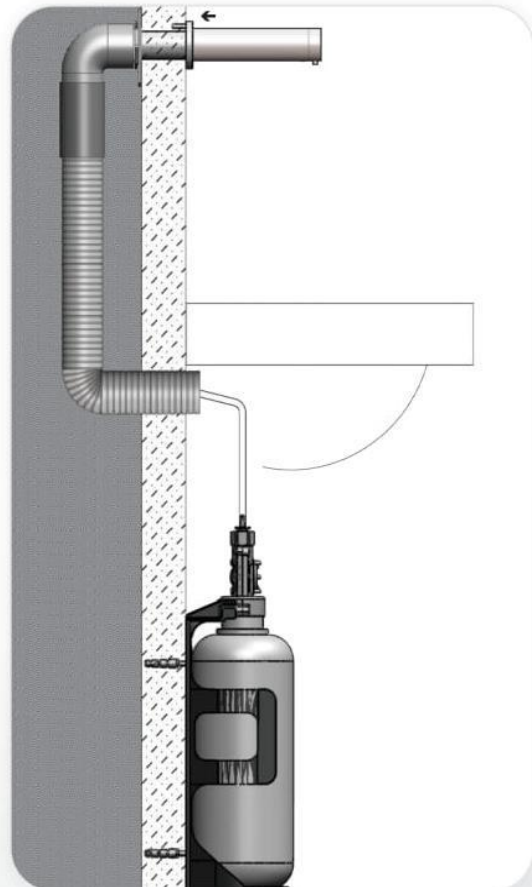


4. Once the works on electricity, plumbing and tiles have been finished, insert the wall rosette through the soap dispenser base.

5. Cut the temporary soap dispenser base cover.

6. Fix the soap dispenser spout by inserting the nipple into the soap dispenser base and tighten the screw.

7. Pull the four way connector and the power supply connector out of the soap dispenser base, and lead it through the corrugated tube.





# INSTALLATION

Tubular Soap Dispenser 2030 B / E  
Quadrat Soap Dispenser 2030 B / E

## Step 3 - Connecting the power source

1. Remove the protective sticker covering the sensor. Keep away from the sensor range and check that no objects are in front of the sensor.



2. a. Connect the motor connector to the power source connector. Please note that since the connector is water proof, some friction might apply.

**Important:** the 4 contacts connector should be connected properly so that the white o-ring is not visible and a clicking sound is heard.

**Pay attention:** If the 4 contacts connectors will not be connected properly, the motor will work continuously.



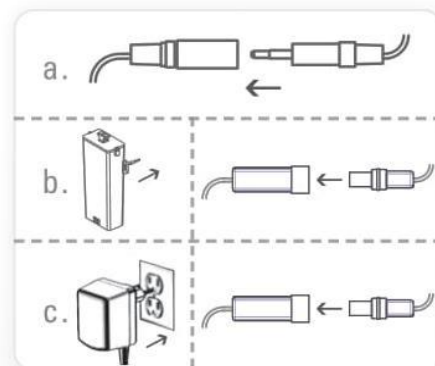
O-ring visible – not connected properly



Connected properly so that only the grooves are visible

b. For battery versions: install the battery box at the wall underneath the sink and connect the battery connector

c. For transformer versions: plug the transformer into the electricity socket and connect the transformer connector



3. Wait about 10 seconds before you put your hands within the sensor range.





# TROUBLE SHOOTING

PROBLEM	INDICATOR	CAUSE	SOLUTION
<b>No soap coming out of the spout</b>	Red light in the sensor flashes continuously when the user's hands are within the sensor's range.	Low battery.	Replace battery.
	Red light in the sensor flashes (once) and the motor is operating.	Soap has run low or completely out.	Refer to page 4 and refill the soap tank.
		The soap tank has been filled but soap has not reached the spout.	Press the refill button located at the bottom of the pump until soap starts to come out of the spout again.
		The connectors between the motor and the power source are not connected properly.	Connect the connectors <b>all the way</b> through. Refer to page 7 to see how.
	Red light in the sensor does not flash (once) when user's hands are within the sensor's range.	Sensor is picking up reflections from the washbasin or another object.	Eliminate cause of reflection.
		Connectors between the electronic unit and the pump assembly \ transformer are disconnected or not properly connected.	Connect the electronic unit connectors to the pump assembly and transformer.
		Battery is completely used up.	The battery must be replaced.
Red light flashes (once) and the motor operates.	Soap solidification at the pipe.	Fill the bottle with hot water at 50/60C and run the pump constantly.	
<b>Soap coming out from the spout does not stop</b>		The black connector between the pump assembly and soap dispenser are not connected all the way through.	Connect the black connectors all the way through.